

QUICKLUB® PROGRESSIVE DIVIDER VALVES

SSV & SSVM SERIES

Series "A"

SSV Series

SPECIFICATIONS:

Output Per Outlet: 0.012 cu. in. (0.2 cc) Per
Piston Cycle

Max. Operating Pressure: 4350 psi (300 bar)

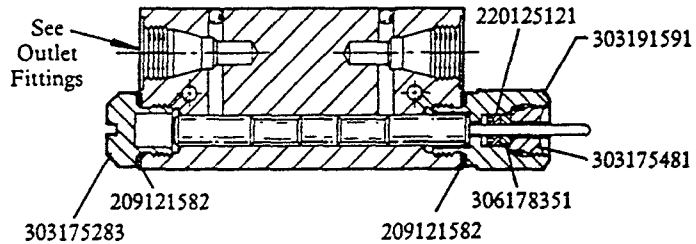
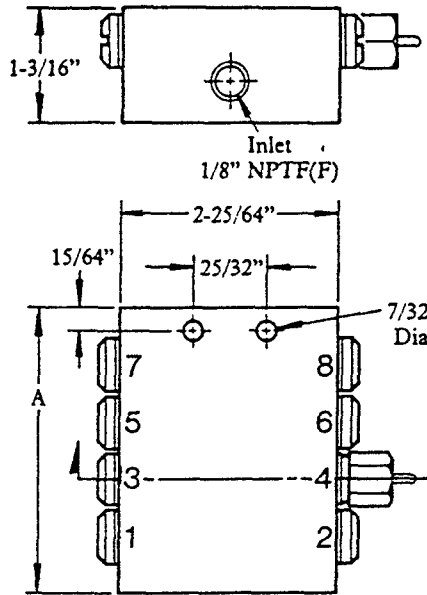
Min. Operating Pressure: 290 psi (20 bar)

Max. Press. Differential Between Two Outlets:
1450 psi (100 bar)

Model No.	Number of Outlets	Monitoring	Dimension A (Inches)
619271211	6	—	2-3/8"
619271221	6	Indicator Pin	2-3/8"
619263962	8	—	2-15/16"
619268462	8	Indicator Pin	2-15/16"
619268441	10	—	3-17/32"
619268452	10	Indicator Pin	3-17/32"
619263982	12	—	4-1/8"
619266482	12	Indicator Pin	4-1/8"

NOTE:

All outlet fittings and closure plugs must be Quickclub® fittings to assure correct function of divider valves (order separately). See reverse side for selection.



SSVM Series

SPECIFICATIONS:

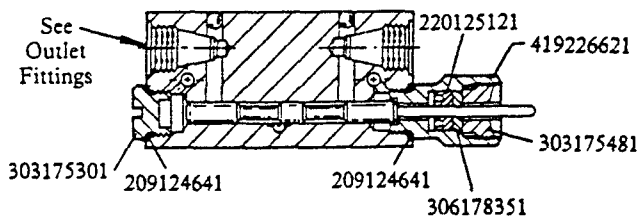
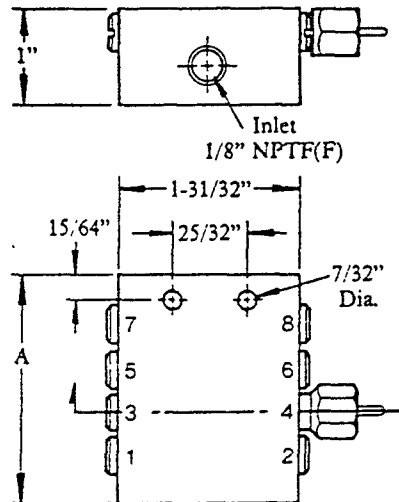
Output Per Outlet: 0.0037 cu. in. (0.07 cc) Per
Piston Cycle

Max. Operating Pressure: 1450 psi (100 bar)

Min. Operating Pressure: 220 psi (15 bar)

Max. Press. Differential Between Two Outlets:
700 psi (50 bar)

Model No.	Number of Outlets	Monitoring	Dimension A (Inches)
619267641	6	—	1-29/32"
619267653	6	Indicator Pin	1-29/32"
619266501	8	—	2-11/32"
619266513	8	Indicator Pin	2-11/32"
619268481	10	—	2-13/16"
619268492	10	Indicator Pin	2-13/16"
619266531	12	—	3-1/4"
619266543	12	Indicator Pin	3-1/4"



LINCOLN

A PENTAIR COMPANY

One Lincoln Way
St. Louis, MO 63120-1578
(314) 679-4200
Customer Service, (314) 679-4300

SECTION - Q4
PAGE - 1

COMBINING OUTPUTS

Outputs from adjacent outlets may be combined by installing a closure plug in one or more outlets. Lubricant from a plugged outlet is redirected to the next adjacent outlet in descending numerical order.

IMPORTANT: Outlets 1 and 2 (bottom) must not be plugged as they have no crossport passage to the next adjacent outlet (top).

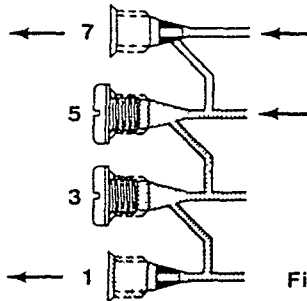
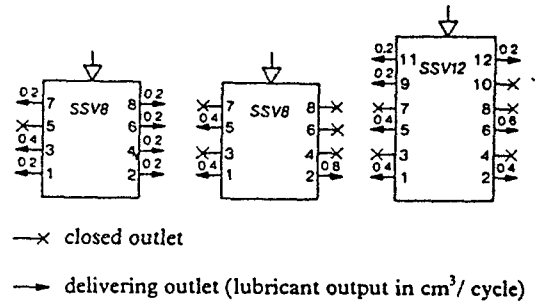


Figure 1

In Fig. 1, Outlets 1, 3 and 5 are combined and directed through Outlet 1. In this example, Outlet 1 will dispense three times as much lubricant as Outlet 7. The tube ferrule in Outlet 7 blocks the crossport passage so that lubricant flow is directed through Outlet 7.

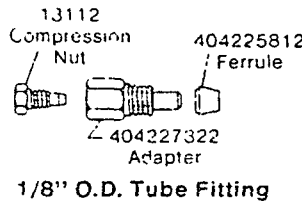
Examples:



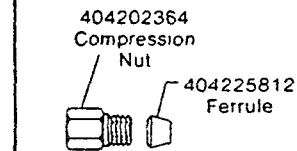
—X closed outlet

→ delivering outlet (lubricant output in cm³/cycle)

OUTLET FITTINGS FOR SSV DIVIDER VALVES (Not Included, Must be ordered separately.)

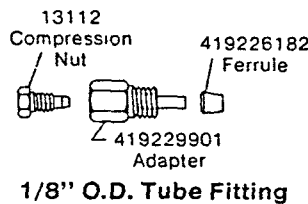


1/8" O.D. Tube Fitting

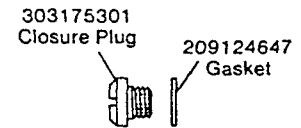


1/4" O.D. Tube Fitting

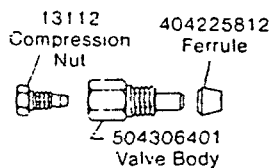
OUTLET FITTINGS FOR SSVM DIVIDER VALVES (Not Included, Must be ordered separately.)



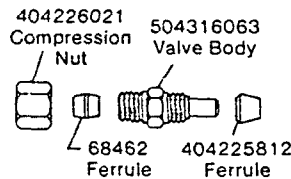
1/8" O.D. Tube Fitting



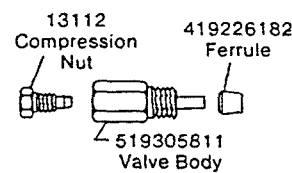
Closure Plug



1/8" O.D. Tubing Check Valve



1/4" O.D. Tubing Check Valve



1/8" O.D. Tubing Check Valve

SERVICE PARTS

PART	DESCRIPTION
209124647	Copper gasket
209121582	Copper gasket
220125121	U-cup packing
303175283	Closure plug
303175301	Closure plug
303175481	Packing retaining screw
303191591	Packing housing
306178351	Gasket
419226621	Packing housing

1/4" O.D. tubing must be used for supply lines from a primary to a secondary divider valve. 1/8" O.D. tubing can only be used for feed lines (from divider valve to bearing point). SSVM Divider Valves cannot be used as primary divider valves in a secondary system.

NOTE: When using an eight outlet pump, the pump is considered a primary divider valve.

TROUBLESHOOTING

PROBLEM	SOLUTION
1) Divider valve cycles slowly or fails to cycle.	<p>Soap build-up in the internal ports of divider valve - Remove pistons and wash divider valve block in a bath of solvent.</p> <p>IMPORTANT: Each piston MUST be returned to its respective bore during reassembly.</p> <p>NOTE: If blockage is too severe and hard, replace the divider valve.</p> <p>Blockage in delivery line - Loosen fittings at divider valve outlets until lubricant under pressure emerges from outlet. This indicates the blocked delivery line. Trace line to determine cause of blockage and resolve problem. Retighten all outlets.</p>

RETAIN THIS INFORMATION FOR FUTURE REFERENCE

When ordering replacement parts, list: Part Number, Description, Model Number, and Series Letter.

LINCOLN provides a Distributor Network that stocks equipment and replacement parts.

A list of Authorized Service Departments will be furnished upon request.