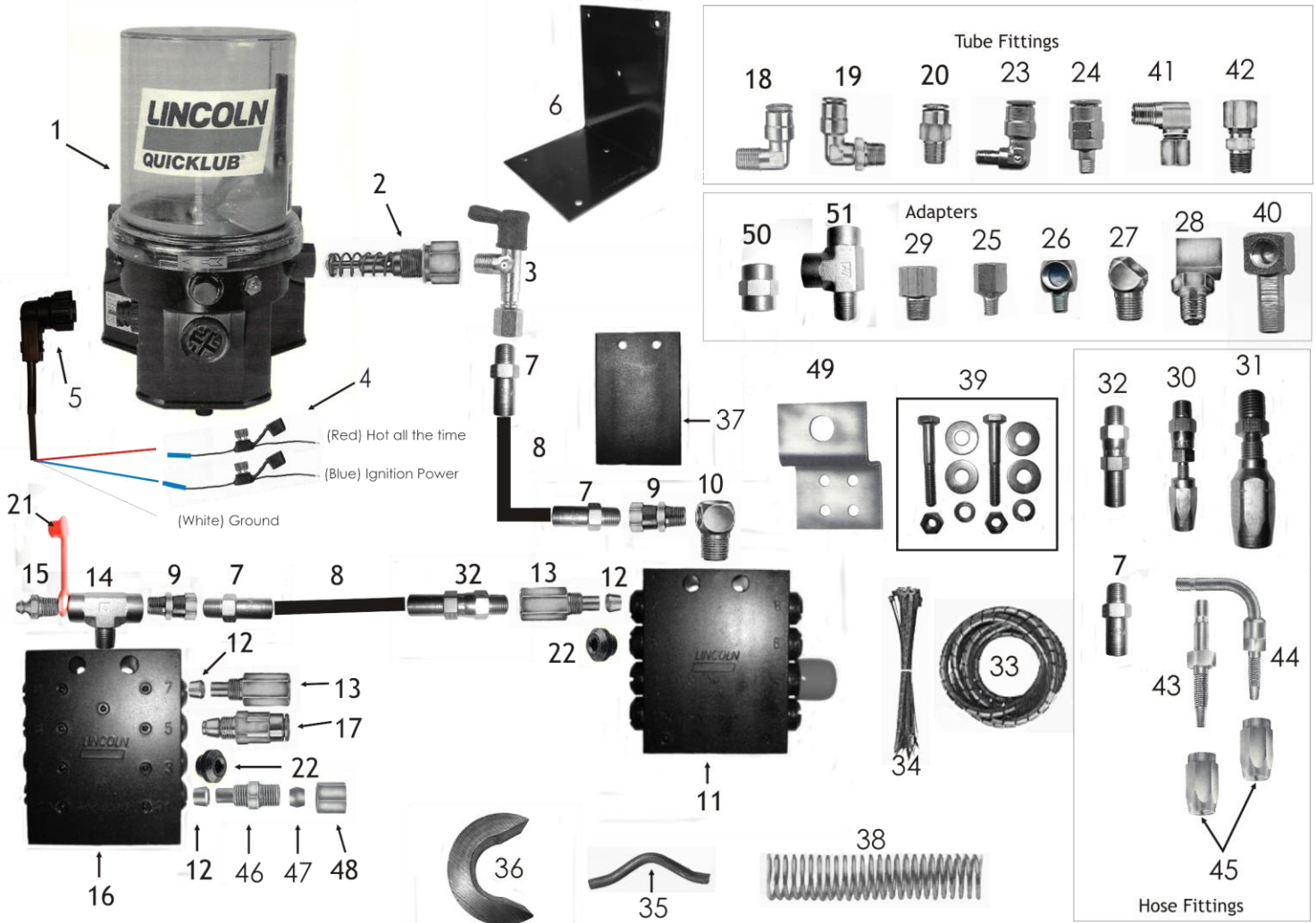




12703 Penridge Dr.
Bridgeton, MO 63044
(314) 291-9600
(314) 291-9601 FAX
www.mobileandindustrial.com

Lincoln Components for designing systems: Quicklub



Ref.	Part Number	Description
1	94012	2 liter 12 volt pump
	94024	2 liter 24 volt pump
	94412	4 liter 12 volt pump
	94424	4 liter 24 volt pump
	94812	8 liter 12 volt pump
	94824	8 liter 24 volt pump
2	600-28750-1	Heavy Duty Element (for hammer paste)
	600-27123-1	Pumping Element -6mm w/adaptor
3	270864	Pressure Relief Valve
4	0018	Fuse Assembly w/10 amp fuse
5	256274	Wiring Harness
	256276	6 wire wiring harness for lighted reset button
6	0001	Pump bracket - L shaped
7	241289	Rigid hose stud (1/8"NPT)
	241291	Male swivel hose stud (1/8"NPT)
8	241288	Hose (1/8") 40'
9	66649	Swivel (1/8"x1/8")-1/2"hex
	66916	Swivel (1/8"x1/8")-9/16"hex
10	20029	90° Fitting (1/8"x1/8"NPT)
11	619-27122-1	SSV 6K Divider Valve w/indicator
	619-26646-2	SSV 8K Divider Valve w/indicator
	619-26845-2	SSV 10K Divider Valve w/indicator
	619-26648-2	SSV 12K Divider Valve w/indicator
	619-28872-1	SSV 16K Divider Valve w/indicator
	619-28901-1	SSV 18K Divider Valve w/indicator

Ref.	Part Number	Description
12	404-22581-2	Clamping ring
13	239857	Valve outlet adapter w/check
14	80418	Male run branch tee (1/8"NPT)
15	5045	Grease Fitting (leakless)
16	619-27121-1	SSV6 Divider Valve
	619-26396-2	SSV8 Divider Valve
	619-26844-1	SSV10 Divider Valve
	619-26398-2	SSV12 Divider Valve
	619-28862-1	SSV14 Divider Valve
	619-28874-1	SSV20 Divider Valve
17	244883	Quicklinclinc outlet adapter w/check
18	244048	Quicklinclinc elbow
19	243699	Quicklinclinc swivel 90° (1/8"NPTx1/4"tube)
20	244047	Quicklinclinc straight (1/8"NPTx1/4"tube)
21	242125	Grease fitting cap
22	303-17499-3	Closure plug
23	244054	Quicklinclinc 90° (1/4 28x1/4"tube)
	244056	Quicklinclinc 90° (6mmx1/4"tube)
24	244055	Quicklinclinc straight (1/4 28x1/4"tube)
	244057	Quicklinclinc straight (6mmx1/4"tube)
25	20024	Adapter (1/8"NPT(f)x1/4 28(m))
26	20026	90° Adapter (1/8"NPT(f)x1/4 28(m))
27	20028	45° Adapter (1/8"NPT(m)x1/8"NPT(f))
28	91308	Straight Active Swivel(1/8"x1/8"NPT)
	91048	90° Swivel (1/8"x1/8"NPT)
29	71818	Extension-Steel (1/8" x 1/8")-1/2"hex
	71819	Extension-Steel (1/8" x 1/8")
30	246002	1/8" Reusable Hose Stud

Ref.	Part Number	Description
31	Hyd1000	1/4" Reusable Hose stud
32	241291	1/8" Male Swivel Hose stud
33	35012	Spiral Wrap - 1/2"(10')
	35038	Spiral Wrap - 3/8"(10')
34	241054	Nylon Ties (100)
35	0004	Hump Bracket (5/16")
36	0010	Counter Sink "C" (2.5")
	0011	Counter Sink "C" (3")
37	0003	Weldable Metering Valve Bracket
38	00015	Steel Coil (1") - 10'
	00045	Steel Coil (1.25") - 10'
	00065	Steel Coil (1.5") - 10'
39	247023	Block mounting bolt (1/4" x 1 3/4")
	2513	Flat washer (1/4")
	51009	Hex nut (1/4")
	2514	Lockwasher (1/4")
40	13129	Large 90° Elbow
41	241293	Compression Elbow (1/8"m x 1/4"tube)
42	241290	Straight Compression (1/8"m x 1/4"tube)
43	272401	Straight hose stud (1/4" tube)
44	272394	90 degree hose stud (1/4"tube)
45	272427	Threaded sleeve for hose stud
46	504-31606-3	Check valve body
47	68462	Ferrule (1/4" tube)
48	404-22602-1	Compression Nut
49	246416	Valve mounting bracket
50	50024	1/8" NPT coupler
51	67011	1/8" NPT Tee